

Datasheet

- Reliable measurement for the reading of length and angle in the engineering and plant construction
- LCD display; 6-digits and sign
- Battery powered, quasi absolute or with external powered, absolute
- Unit mm/inch/angle measurement switchable
- Programmable offset value
- Programmable counting direction



Mechanical Data

General		
Weight	~100 g	
Accessories	MRI: magnetic ring SB: Rail (further Version see Datasheet)	
Storage Temperature	-20 to +70 °C	
Operating Temperature	0 to +50 °C	
Relative Humidity	95% (no condensed)	
Display		
Dimensions		
Display	99 x 55 x 42 mm	
Drilling Template	92,5 x 44,5 mm	
Resolution		
metric (mm)	1; 0,1; 0,05; 0,01	
Inch (")	0,01; 0,001; 1/16; 1/32; 1/64	
Angular(°)	1; 0,1; 0,001; 0,001	
Keyboard	5 function keys	
Programmable/ Activatable Function	Counting direction; Unit (mm, inch, Grad); decimal point and multiplication factor; actual- und REF-value; Mode/ PRESET-value	
Display	LCD; 6-digits	
Digit High	13 mm	
Indicating Range	-999999; 999999	
Repeatability	± 0,5 digits	
Vibration(EN 600068-2-6)	25 m/s ² (55 - 2000 Hz)	
IP-Rating (EN 60529)	IP40	
Measuring System		
Dimensions		
Sensor	10 x 13 x 26 mm	
Cable	Ø3,4 mm	
Length	0,2 - 0,5 - 1,0 - 1,5 - 2,0 - 2,5 - 3,0 - 3,5 - 4,0 m	
Bending Radius	50 mm	
Material		
Housing of Sensor	Aluminium; black anodisation	
Cable	6-adrig	
Magnetic Tape	WM1	WM2
Pole Pitch	1+1 mm	2+2 mm
distance Sensor-Magnetic Tape	0,1 ... 0,4 mm	0,3 ... 2,0 mm
Traversing Speed	< 2 m/s	< 4 m/s
Accuracy	±15 µm	± 20 µm
Shock (EN 60068-2-27)	1000 m/s ² (11 ms)	
Vibration(EN 600068-2-6)	300 m/s ² (55 - 2000 Hz)	
IP-Rating (EN 60529)	IP67	

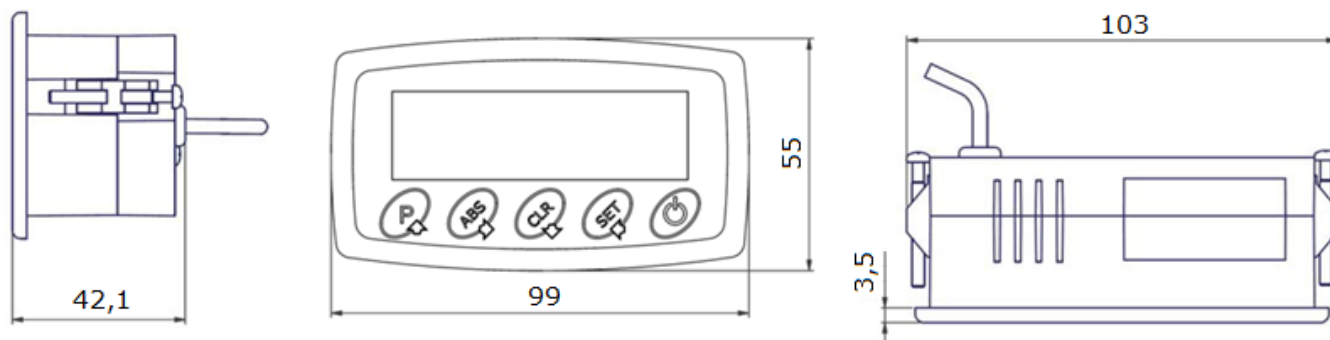
Datasheet

Electrical Data

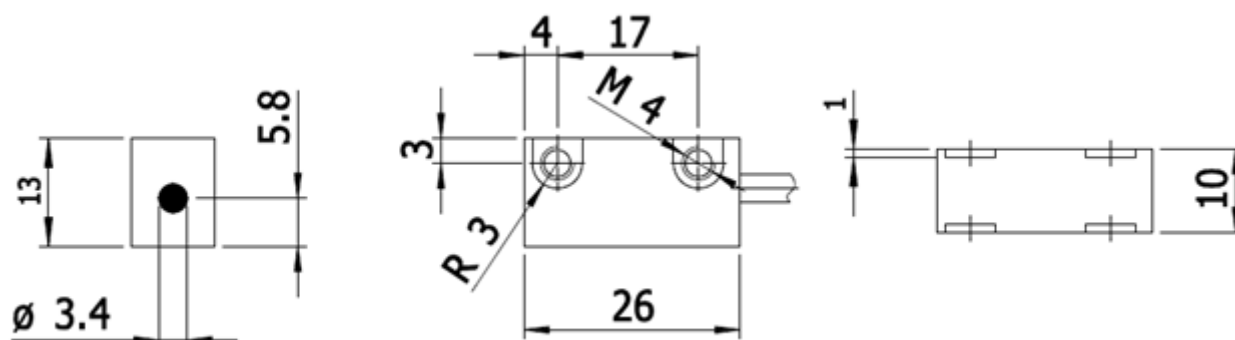
Power Supply	3V (2x AA batteries)
Battery Powered	1,5 - 5 V
External Powered	
Consumption	1 mA

Dimensions

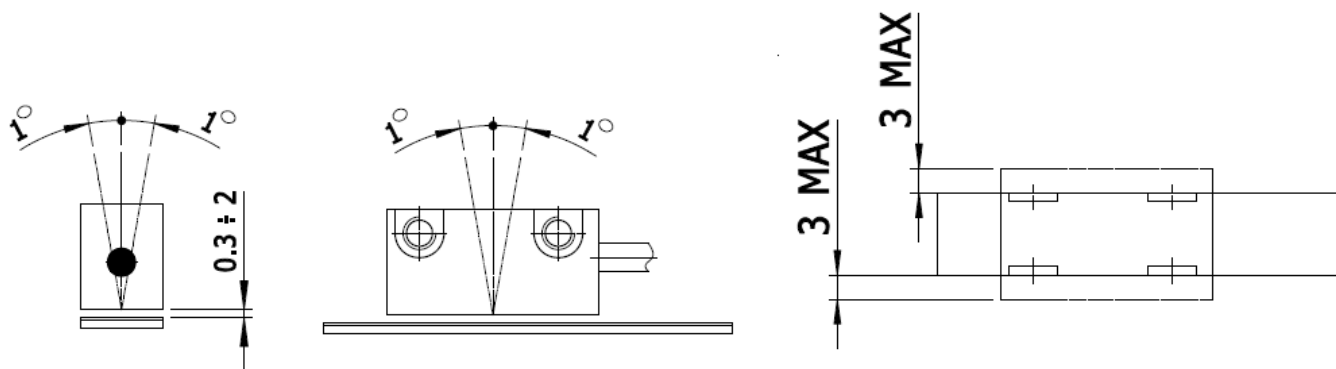
Display



Sensor



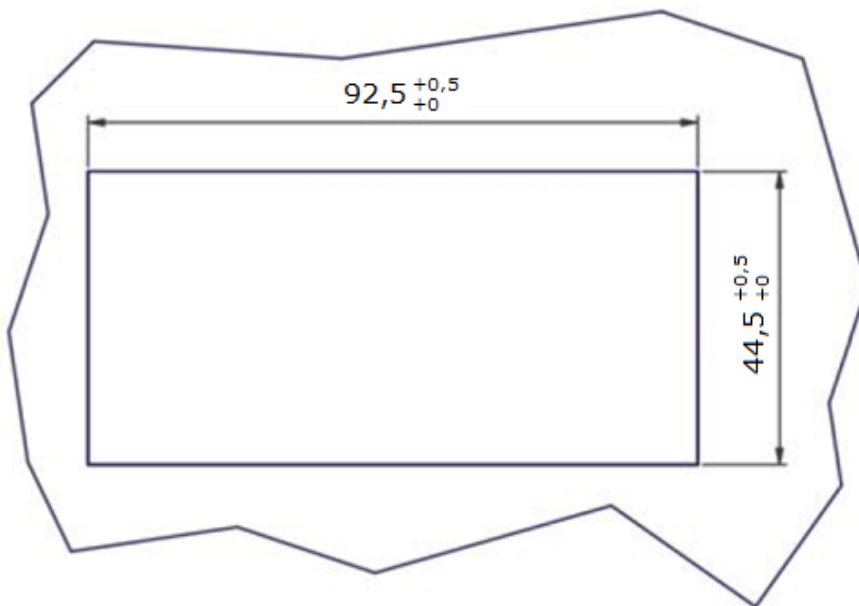
Alignment Tolerances





Datasheet

Drilling Template



Ordering Example

Type	Vision MS-S	-	2	-	B	-	M01
Pole Pitch							
2	= 2+2 mm						
1	= 1+1 mm						
Power Supply							
B	= Battery Powered						
E	= External Powered						
Cable Length							
M04	= 4 m						
M01	= 1 m						
M0.2	= 0,2 m						